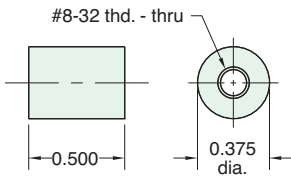




# 3/8" BORE MOUNTING BRACKETS

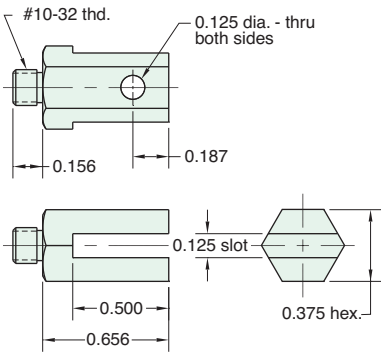
**11767**

**Ceramic Insulator**  
Use with cylinder having #8-32 threaded shaft to insulate cylinder from heat or electricity



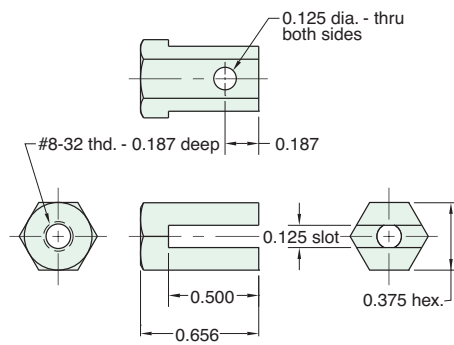
**11996**

**Male Clevis**  
Mounts in rear of cylinder tapped #10-32



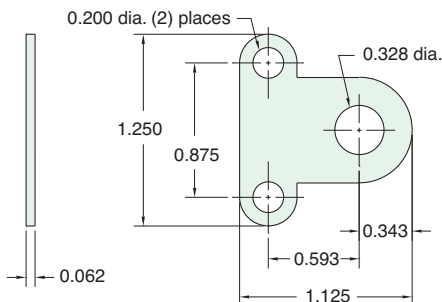
**11997**

**Female Clevis**  
Use with cylinder having #8-32 threaded shaft



**11917-2**

**Mounting Bracket (flat)**



**11918-2**

**Mounting Bracket (angled)**

